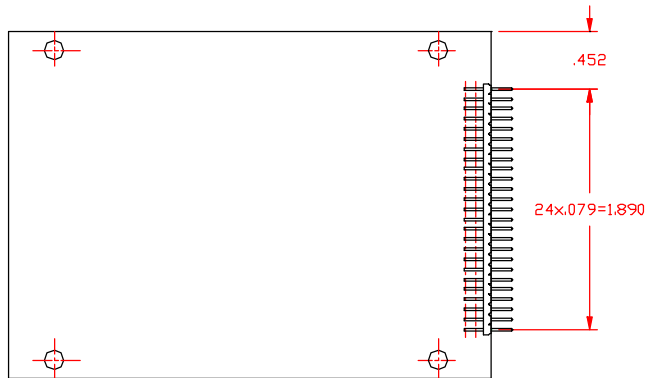
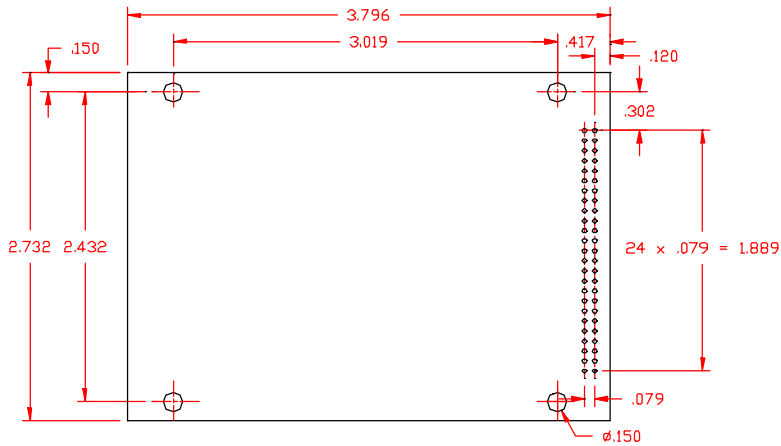
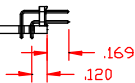


THIS DRAWING CONTAINS PROPRIETARY INFORMATION AND SHALL NOT BE LOANED, REPRODUCED OR DISCLOSED IN WHOLE OR IN PART FOR THE MANUFACTURE, REPAIR, MAINT OR OTHER PURPOSES EXCEPT AS EXPRESSLY AUTHORIZED IN WRITING BY COMM CON CONNECTORS.



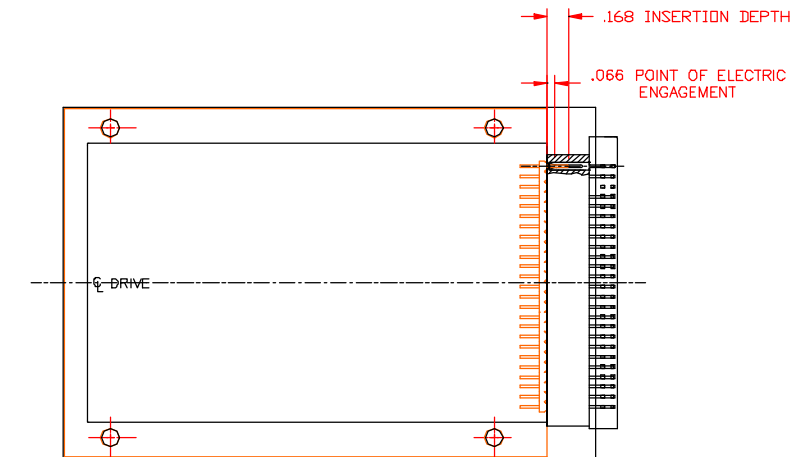
ASSEMBLY WITH
HEADER 2705R-50G2



SUGGESTED PLATFORM PCB
USING 2705R-50G2

NOTES: UNLESS OTHERWISE SPECIFIED

REVISIONS				
ECD NO:	REV:	DESCRIPTION	DATE	APPROVED
91669	B	ASS SUGGESTED PLATF. PCB	08.08.02	



ASSEMBLY WITH PLATFORM

FIND	QTY	PART NO.	DESCRIPTION
3	25	P17-14-571	PIN, 2MM PITCH, .571 LENGTH
2	25	P17-13-413	PINS, 2MM PITCH, .413 LENGTH
1	1	40134-100	INSULATOR, .079 PITCH, 2 ROW

LIST OF MATERIALS			
UNLESS OTHERWISE SPECIFIED: DIMENSIONS ARE IN INCHES AND TOLERANCES ARE:		COMM CON CONNECTORS INC	
FRACTIONS	DECIMALS	ANGLES	TITLE: FLASHCARD, SOCKET ASSY. 2.5 INCH DRIVE .111
±1/8+	.XX ± .02	±1°	
	.XXX ± .010		
DRAWN BY: AM	DATE: 02.12.02		
APPROVED:	DATE:		
MATERIAL: SEE NOTE 2	CAT. NO: 759X	SIZE: B	DWG NO: 30568
FINISH: SEE NOTE 1	SCALE: 1:1	TOOL NO:	REV: B
			SHEET 2 OF 2