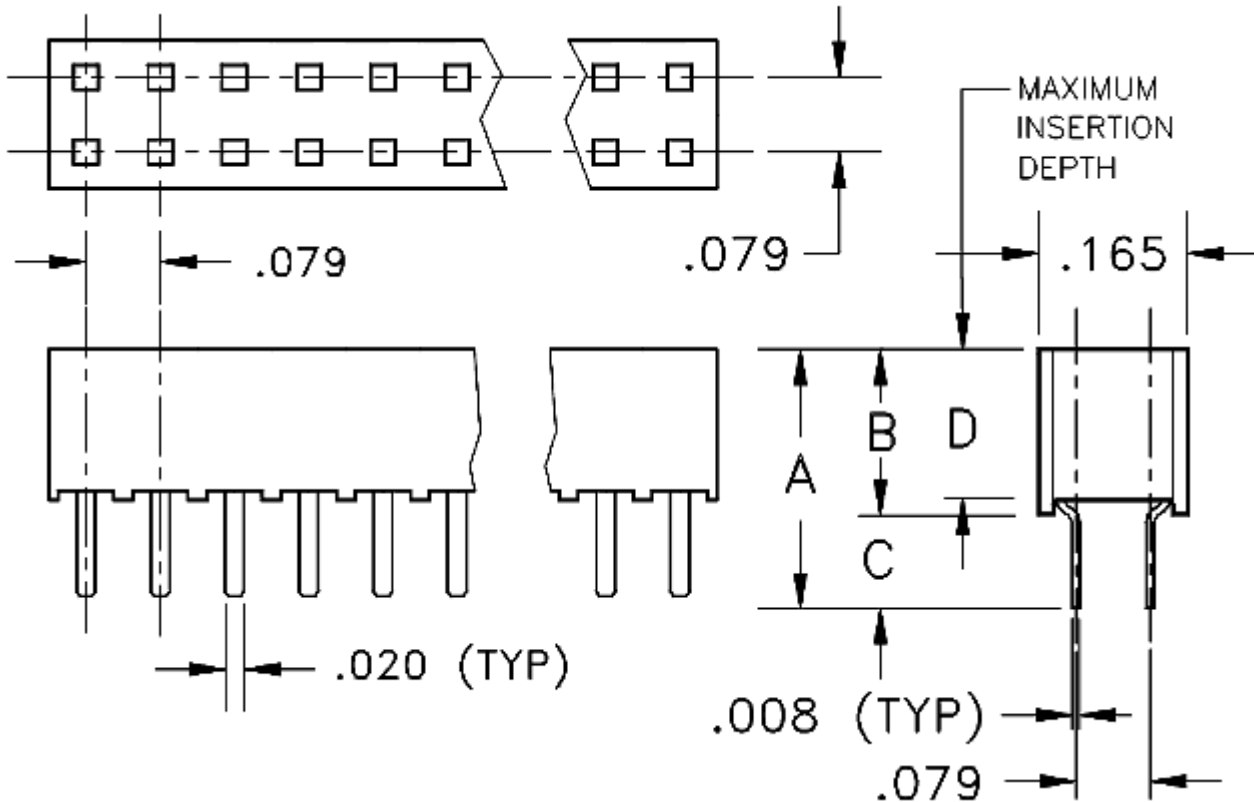


2mm	Socket	Double Row	Straight	Thru Hole
-----	--------	------------	----------	-----------

2mm Center, Double Row Straight Socket



Base Part Number	A		B		C		D		E		Plating Options	Number of Positions
	mm	Inch	mm	Inch	mm	Inch	mm	Inch	mm	Inch		
1321	5.13	0.202	3.99	0.157	1.14	0.045	3.68	0.145			T : G2	4-100
1320	6.53	0.257	3.99	0.157	2.54	0.100	3.68	0.145			T : G2	4-100
1319	7.04	0.277	3.99	0.157	3.05	0.120	3.68	0.145			T : G2	4-100

Technical Notes

Contact Material:	Contact: Stamped, Phosphor Bronze
Insulation Material:	Glass Filled Nylon 46, UL 94V-0 rated, Black (std)
Heat Deflection:	260°C @ 264 PSI per ASTM D648
Insulation Resistance:	5,000 MegOhm @ 500VDC
Current Rating:	1 amp continuous @ 100 VDC/contact
Max Processing Temp:	250°C for 60 seconds
Insertion Force:	142 grams (5.0oz) (typ initial w/ .020" sq pin)
Extraction Force:	80 grams (2.8oz) (typ initial w/ .020" sq pin)
Plastic:	High Temperature Compatible

COMM CON CONNECTORS INC.

1848 Evergreen Street, Duarte, Ca 91010 · (626) 301-4200 · fax (626) 301-4212 · e-mail:

info@commcon.com