

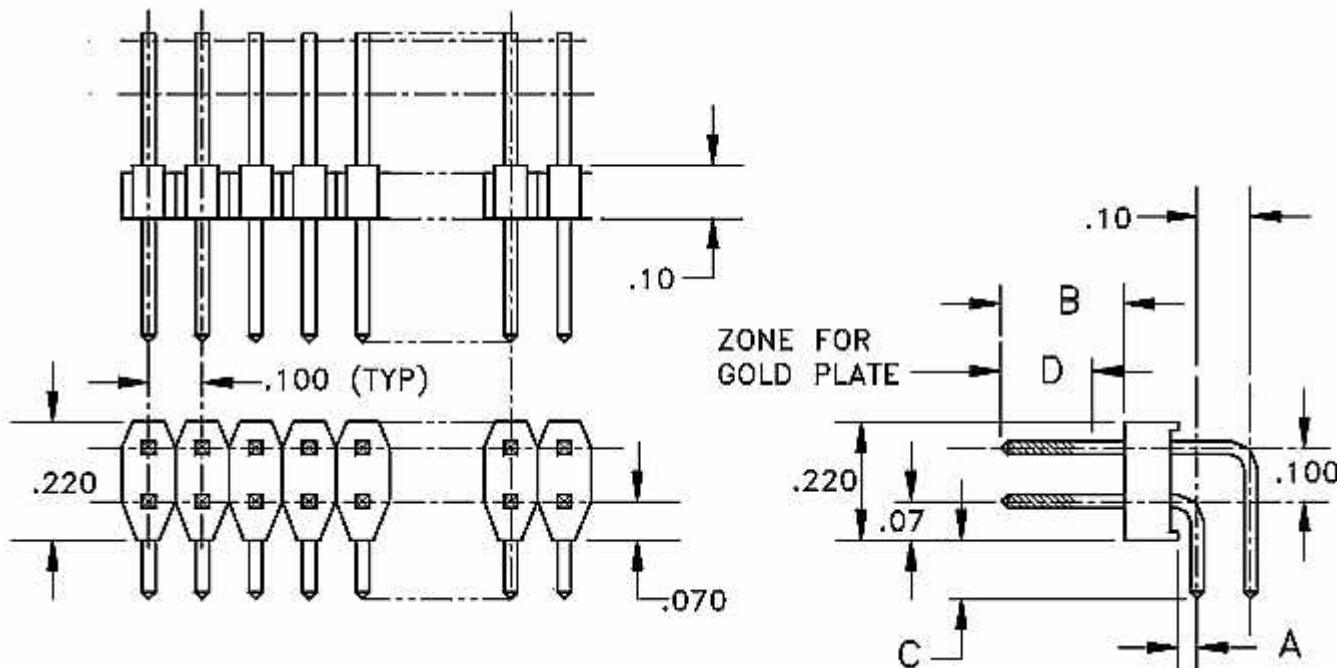
Use this browser's print function to print this entire page, then close this window.

Catalog Page 9-2

Hi Temperature Plastic

| | | | | |
|-------|--------|-----------------------------|----------|-----------|
| .100" | Header | Double Row - High Stand Off | Rt Angle | Thru Hole |
|-------|--------|-----------------------------|----------|-----------|

.100" Center, .025" Square Pin, High Standoff, Double Row Right Angle Header



| Base Part Number | A | | B | | C | | D | | E | | Plating Options | Number of Positions |
|------------------|------|-------|------|-------|-------|-------|------|-------|----|------|-----------------|---------------------|
| | mm | Inch | mm | Inch | mm | Inch | mm | Inch | mm | Inch | | |
| 5501R | 1.52 | 0.060 | 5.84 | 0.230 | 5.08 | 0.200 | 5.84 | 0.230 | | | G2 G1 T | 4-80 |
| 5502R | 1.52 | 0.060 | 5.84 | 0.230 | 7.62 | 0.300 | 5.84 | 0.230 | | | G2 G1 T | 4-80 |
| 5507R | 1.52 | 0.060 | 5.84 | 0.230 | 2.54 | 0.100 | 5.84 | 0.230 | | | G2 G1 T | 4-80 |
| 5503R | 1.52 | 0.060 | 5.84 | 0.230 | 10.16 | 0.400 | 5.84 | 0.230 | | | G2 G1 T | 4-80 |
| 5506R | 1.52 | 0.060 | 8.08 | 0.318 | 7.87 | 0.310 | 5.84 | 0.230 | | | G2 G1 T | 4-80 |
| 5504R | 1.52 | 0.060 | 8.08 | 0.318 | 2.79 | 0.110 | 5.84 | 0.230 | | | G2 G1 T | 4-80 |
| 5505R | 1.52 | 0.060 | 8.08 | 0.318 | 5.33 | 0.210 | 5.84 | 0.230 | | | G2 G1 T | 4-80 |

Technical Notes

| | |
|-------------------------------|---|
| Contact Material: | Pin: Phosphor Bronze, .025" sq pin, burr free both ends |
| Insulate Material: | Glass Filled Nylon 46, UL 94V-0 rated, Black (std) |
| Temperature Range: | -65°C to +250°C |
| Insulation Resistance: | 5,000 MegOhm @ 500VDC |
| Current Rating: | 3 amps continuous @ 100 VDC/contact |
| Max Processing Temp: | 250°C for 60 seconds |
| Heat Deflection: | 260°C @ 264 PSI per ASTM D648 |

COMM CON CONNECTORS INC.

1848 Evergreen Street, Duarte, Ca 91010 · (626) 301-4200 · fax (626) 301-4212 · e-mail: info@commcon.com